

INTERNATIONAL STANDARD

NORME INTERNATIONALE



**Measurement of smoke density of cables burning under defined conditions –
Part 1: Test apparatus**

**Mesure de la densité de fumées dégagées par des câbles brûlant dans des
conditions définies –
Partie 1: Appareillage d'essai**



THIS PUBLICATION IS COPYRIGHT PROTECTED

Copyright © 2013 IEC, Geneva, Switzerland

All rights reserved. Unless otherwise specified, no part of this publication may be reproduced or utilized in any form or by any means, electronic or mechanical, including photocopying and microfilm, without permission in writing from either IEC or IEC's member National Committee in the country of the requester.

If you have any questions about IEC copyright or have an enquiry about obtaining additional rights to this publication, please contact the address below or your local IEC member National Committee for further information.

Droits de reproduction réservés. Sauf indication contraire, aucune partie de cette publication ne peut être reproduite ni utilisée sous quelque forme que ce soit et par aucun procédé, électronique ou mécanique, y compris la photocopie et les microfilms, sans l'accord écrit de la CEI ou du Comité national de la CEI du pays du demandeur.

Si vous avez des questions sur le copyright de la CEI ou si vous désirez obtenir des droits supplémentaires sur cette publication, utilisez les coordonnées ci-après ou contactez le Comité national de la CEI de votre pays de résidence.

IEC Central Office
3, rue de Varembe
CH-1211 Geneva 20
Switzerland

Tel.: +41 22 919 02 11
Fax: +41 22 919 03 00
info@iec.ch
www.iec.ch

About the IEC

The International Electrotechnical Commission (IEC) is the leading global organization that prepares and publishes International Standards for all electrical, electronic and related technologies.

About IEC publications

The technical content of IEC publications is kept under constant review by the IEC. Please make sure that you have the latest edition, a corrigenda or an amendment might have been published.

Useful links:

IEC publications search - www.iec.ch/searchpub

The advanced search enables you to find IEC publications by a variety of criteria (reference number, text, technical committee,...).

It also gives information on projects, replaced and withdrawn publications.

IEC Just Published - webstore.iec.ch/justpublished

Stay up to date on all new IEC publications. Just Published details all new publications released. Available on-line and also once a month by email.

Electropedia - www.electropedia.org

The world's leading online dictionary of electronic and electrical terms containing more than 30 000 terms and definitions in English and French, with equivalent terms in additional languages. Also known as the International Electrotechnical Vocabulary (IEV) on-line.

Customer Service Centre - webstore.iec.ch/csc

If you wish to give us your feedback on this publication or need further assistance, please contact the Customer Service Centre: csc@iec.ch.

A propos de la CEI

La Commission Electrotechnique Internationale (CEI) est la première organisation mondiale qui élabore et publie des Normes internationales pour tout ce qui a trait à l'électricité, à l'électronique et aux technologies apparentées.

A propos des publications CEI

Le contenu technique des publications de la CEI est constamment revu. Veuillez vous assurer que vous possédez l'édition la plus récente, un corrigendum ou amendement peut avoir été publié.

Liens utiles:

Recherche de publications CEI - www.iec.ch/searchpub

La recherche avancée vous permet de trouver des publications CEI en utilisant différents critères (numéro de référence, texte, comité d'études,...).

Elle donne aussi des informations sur les projets et les publications remplacées ou retirées.

Just Published CEI - webstore.iec.ch/justpublished

Restez informé sur les nouvelles publications de la CEI. Just Published détaille les nouvelles publications parues. Disponible en ligne et aussi une fois par mois par email.

Electropedia - www.electropedia.org

Le premier dictionnaire en ligne au monde de termes électroniques et électriques. Il contient plus de 30 000 termes et définitions en anglais et en français, ainsi que les termes équivalents dans les langues additionnelles. Egalement appelé Vocabulaire Electrotechnique International (VEI) en ligne.

Service Clients - webstore.iec.ch/csc

Si vous désirez nous donner des commentaires sur cette publication ou si vous avez des questions contactez-nous: csc@iec.ch.

INTERNATIONAL STANDARD

NORME INTERNATIONALE



Measurement of smoke density of cables burning under defined conditions – Part 1: Test apparatus

Mesure de la densité de fumées dégagées par des câbles brûlant dans des conditions définies – Partie 1: Appareillage d'essai

INTERNATIONAL
ELECTROTECHNICAL
COMMISSION

COMMISSION
ELECTROTECHNIQUE
INTERNATIONALE

ICS 13.220.40; 29.020; 29.060.20

ISBN 978-2-8322-0901-1

**Warning! Make sure that you obtained this publication from an authorized distributor.
Attention! Veuillez vous assurer que vous avez obtenu cette publication via un distributeur agréé.**

CONTENTS

FOREWORD.....	3
INTRODUCTION.....	5
1 Scope.....	6
2 Normative references.....	6
3 Terms and definitions	6
4 Details of test enclosure	6
5 Photometric system	7
6 Standard fire source	7
7 Smoke mixing.....	8
8 Blank test	8
8.1 Purpose.....	8
8.2 Procedure.....	8
9 Qualification of test apparatus.....	8
10 Qualification burning test	8
10.1 Purpose.....	8
10.2 Preparation of cube	9
10.3 Qualification fire sources	9
10.4 Test procedure	9
10.5 Calculation	9
10.6 Requirements	9
Annex A (informative) Guidance notes.....	12
Bibliography	14
Figure 1 – Plan view of test chamber	10
Figure 2 – Photometric system	11
Figure 3 – Metal tray	11

INTERNATIONAL ELECTROTECHNICAL COMMISSION

**MEASUREMENT OF SMOKE DENSITY OF CABLES
BURNING UNDER DEFINED CONDITIONS –****Part 1: Test apparatus**

FOREWORD

- 1) The International Electrotechnical Commission (IEC) is a worldwide organization for standardization comprising all national electrotechnical committees (IEC National Committees). The object of IEC is to promote international co-operation on all questions concerning standardization in the electrical and electronic fields. To this end and in addition to other activities, IEC publishes International Standards, Technical Specifications, Technical Reports, Publicly Available Specifications (PAS) and Guides (hereafter referred to as "IEC Publication(s)"). Their preparation is entrusted to technical committees; any IEC National Committee interested in the subject dealt with may participate in this preparatory work. International, governmental and non-governmental organizations liaising with the IEC also participate in this preparation. IEC collaborates closely with the International Organization for Standardization (ISO) in accordance with conditions determined by agreement between the two organizations.
- 2) The formal decisions or agreements of IEC on technical matters express, as nearly as possible, an international consensus of opinion on the relevant subjects since each technical committee has representation from all interested IEC National Committees.
- 3) IEC Publications have the form of recommendations for international use and are accepted by IEC National Committees in that sense. While all reasonable efforts are made to ensure that the technical content of IEC Publications is accurate, IEC cannot be held responsible for the way in which they are used or for any misinterpretation by any end user.
- 4) In order to promote international uniformity, IEC National Committees undertake to apply IEC Publications transparently to the maximum extent possible in their national and regional publications. Any divergence between any IEC Publication and the corresponding national or regional publication shall be clearly indicated in the latter.
- 5) IEC provides no marking procedure to indicate its approval and cannot be rendered responsible for any equipment declared to be in conformity with an IEC Publication.
- 6) All users should ensure that they have the latest edition of this publication.
- 7) No liability shall attach to IEC or its directors, employees, servants or agents including individual experts and members of its technical committees and IEC National Committees for any personal injury, property damage or other damage of any nature whatsoever, whether direct or indirect, or for costs (including legal fees) and expenses arising out of the publication, use of, or reliance upon, this IEC Publication or any other IEC Publications.
- 8) Attention is drawn to the Normative references cited in this publication. Use of the referenced publications is indispensable for the correct application of this publication.
- 9) Attention is drawn to the possibility that some of the elements of this IEC Publication may be the subject of patent rights. IEC shall not be held responsible for identifying any or all such patent rights.

This consolidated version of IEC 61034-1 consists of the third edition (2005) [documents 20/754/FDIS and 20/766/RVD] and its amendment 1 (2013) [documents 20/1428/FDIS and 20/1443/RVD]. It bears the edition number 3.1.

The technical content is therefore identical to the base edition and its amendment and has been prepared for user convenience. A vertical line in the margin shows where the base publication has been modified by amendment 1. Additions and deletions are displayed in red, with deletions being struck through.

International Standard IEC 61034-1 has been prepared by IEC technical committee 20: Electric cables.

The principal changes with respect to the previous edition are as follows:

- a) closer definition of the draught screen and the chamber orifices;
- b) closer definition of the support for the cable(s) under test;
- c) removal of minor differences with equivalent CENELEC work to allow parallel voting with that body.

It has the status of a group safety publication in accordance with IEC Guide 104.

This publication has been drafted in accordance with the ISO/IEC Directives, Part 2.

IEC 61034 consists of the following parts, under the general title *Measurement of smoke density of cables burning under defined conditions*,

Part 1: Test apparatus

Part 2: Test procedure and requirements

The committee has decided that the contents of the base publication and its amendment will remain unchanged until the stability date indicated on the IEC web site under "<http://webstore.iec.ch>" in the data related to the specific publication. At this date, the publication will be

- reconfirmed,
- withdrawn,
- replaced by a revised edition, or
- amended.

IMPORTANT – The “colour inside” logo on the cover page of this publication indicates that it contains colours which are considered to be useful for the correct understanding of its contents. Users should therefore print this publication using a colour printer.

INTRODUCTION

The measurement of smoke density is an important aspect in the evaluation of the burning performance of cables as it is related to the evacuation of persons and accessibility for firefighting.

IEC 61034 is published in two parts, which together specify a method of test for measurement of smoke density of cables burning under defined conditions. Users of this test are reminded that the configurations of cable in the test (i.e. as test pieces or bundles of test pieces) may not represent actual installation conditions.

This Part 1 gives details of the test apparatus and verification procedure to be used for the measurement of smoke density of the products of combustion of cables burnt under defined conditions. It includes details of a test enclosure of 27m³ volume, a photometric system for light measurement, the fire source, smoke mixing method and a qualification procedure. Annex A gives guidance on various aspects of the test apparatus which may be useful when first constructing the test enclosure.

Part 2 gives the test procedure, together with an informative annex giving recommended requirements for compliance where no specified requirement is given in the particular cable standard or specification.

MEASUREMENT OF SMOKE DENSITY OF CABLES BURNING UNDER DEFINED CONDITIONS –

Part 1: Test apparatus

1 Scope

This part of IEC 61034 provides details of the test apparatus to be used for measuring smoke emission when electric or optical fibre cables are burnt under defined conditions, for example, a few cables burnt horizontally. The light transmittance (I_t) under flaming combustion and smouldering conditions can be used as a means of comparing different cables or complying with specific requirements.

NOTE For the purposes of this standard, the term "electric cable" covers all insulated metallic conductor cables used for the conveyance of energy or signals.

2 Normative references

The following referenced documents are indispensable for the application of this document. For dated references, only the edition cited applies. For undated references, the latest edition of the referenced document (including any amendments) applies.

IEC 60695-4, *Fire hazard testing – Part 4: Terminology concerning fire tests*

IEC Guide 104:1997, *The preparation of safety publications and the use of basic safety publications and group safety publications*

ISO/IEC 13943:2000, *Fire safety – Vocabulary*

3 Terms and definitions

For the purposes of this document, the terms and definitions in IEC 60695-4 apply, or if a term is not defined in IEC 60695-4 then the definition in ISO/IEC 13943 applies.

4 Details of test enclosure

The equipment shall comprise a cubic enclosure with inside dimensions of 3 000 mm \pm 30 mm and constructed of a suitable material fixed on to a steel angle frame. One side shall have a door, with a glass inspection window. Transparent sealed windows (minimum size 100 mm \times 100 mm) shall be provided on two opposite sides to permit the transmission of a beam of light from the horizontal photometric system. The distance from the floor to the centre of these windows shall be 2 150 mm \pm 100 mm (see Figure 1 for plan view).

The walls of the enclosure shall include orifices at ground level (i.e. not greater than 100 mm above the level of the chamber floor) for the passage of cables, etc., and to permit the enclosure to be at atmospheric pressure.

No orifice shall be directly behind the fire source or on the same wall. A minimum of two orifices shall be provided and the total area of the orifices open during the test shall be 50 cm² \pm 10 cm².

NOTE 1 Two orifices, each with an area of 25 cm² \pm 5 cm², and located on two opposite walls, one under the light source and one under the receiver have been found to be suitable.

The ambient temperature outside the enclosure shall be $20\text{ °C} \pm 10\text{ °C}$ and the enclosure shall not be directly exposed to sunlight or extreme climatic changes.

NOTE 2 It should normally be possible to extract fumes from the enclosure after each test through a duct complete with valve which should be closed during the test. The duct may include a fan to increase the rate of extraction. It is recommended that the door of the enclosure be opened to assist the extraction process.

A draught screen, $1\,500\text{ mm} \pm 50\text{ mm}$ long and $1\,000\text{ mm} \pm 50\text{ mm}$ high, shall be placed in the enclosure, at the position shown in Figure 1. It shall abut on the back wall (with a maximum gap of 10 mm) at a point $750\text{ mm} \pm 25\text{ mm}$ from the side wall, and shall be curved to intersect the centre line of the enclosure at a point $1\,400\text{ mm} \pm 25\text{ mm}$ from the point of abutment.

5 Photometric system

5.1 The photometric system is illustrated in Figure 2. The light source and the receiver shall be placed externally in the centre of both windows in the two opposite walls of the cube without making physical contact. The light beam shall traverse the cube through the glass windows in the side walls.

5.2 The light source shall be a halogen lamp with a tungsten filament with a clear quartz bulb having the following characteristics:

nominal power:	100 W;
nominal voltage:	12 V d.c.;
nominal luminous flux:	2 000 lm to 3 000 lm;
nominal colour temperature:	2 800 K to 3 200 K.

The bulb shall be supplied with a voltage of $12,0\text{ V} \pm 0,1\text{ V}$ (mean value). During the test, the voltage shall be stabilized to a range of $\pm 0,01\text{ V}$ (see A.2c) for additional guidance.) The lamp shall be mounted in a housing and the beam adjusted by a lens system to give an evenly illuminated circular area of $1,5\text{ m} \pm 0,1\text{ m}$ diameter on the interior of the opposite wall.

5.3 The receptor photocell shall be of the selenium or silicon type with a spectral response matching the International Commission on Illumination (CIE) photopic observer (equivalent to the human eye). The photocell shall be mounted at the end of $150\text{ mm} \pm 10\text{ mm}$ tube with a dust protection window at the other end. The inside of the tube shall be matt black to prevent reflections. The photocell shall be connected to a potentiometric recorder to produce a linear proportional output. The cell shall be resistance-loaded to operate in its linear range and the input impedance of the recorder shall be at least 10^4 times greater than the load resistance of the cell which shall not exceed 100 Ω .

5.4 The photometric system shall be energized before the blank test. When stability has been attained, the zero and full scale reading of the recorder shall be adjusted for light on the detector corresponding to 0 % (absence of light) and 100 % luminous transmission.

NOTE 1 Periodically, for example at the beginning of a test series, the performance of the photocell should be verified by placing standard neutral density filters in the light beam. It is essential that these filters cover the entire optical part of the photocell and the values of transmittance measured by the photocell give a value of parameter A within $\pm 5\%$ of the calibrated value of the filter. The filters should also permit the verification of the linearity of response of the detector which should be proportional to the transmittance of light in the range used.

NOTE 2 Most neutral density filters are designated according to a parameter defined as absorbance which is the same as the parameter A defined in 10.5 which may be used to convert measured transmittance.

6 Standard fire source

The standard fire source shall be $1,00\text{ l} \pm 0,01\text{ l}$ of alcohol having the following composition by volume:

ethanol:	$90\% \pm 1\%$
methanol:	$4\% \pm 1\%$

water: $6 \% \pm 1 \%$.

When a denaturing agent is added to the alcohol, it shall have no effect on the smoke emission of any cable under test.

The alcohol shall be contained in a tray made from galvanized or stainless steel with jointed sealed edges, a trapezoidal trunk section and the following interior dimensions (see Figure 3):

bottom base: $(210 \pm 2) \text{ mm} \times (110 \pm 2) \text{ mm}$;

top base: $(240 \pm 2) \text{ mm} \times (140 \pm 2) \text{ mm}$;

height: $(80 \pm 2) \text{ mm}$;

thickness of tray: $(1,0 \pm 0,1) \text{ mm}$.

The tray shall be supported at a height of $100 \text{ mm} \pm 10 \text{ mm}$ from the floor on an open sided framework to permit air circulation around and beneath the tray.

7 Smoke mixing

In order to ensure uniform distribution of the smoke, a table-type fan shall be placed on the floor of the cube as shown in Figure 1, the fan axis being between 200 mm and 300 mm from the floor and the distance from the wall being $500 \text{ mm} \pm 50 \text{ mm}$. The fan shall have a blade sweep of $300 \text{ mm} \pm 60 \text{ mm}$ and a flow rate of $7 \text{ m}^3/\text{min}$ to $15 \text{ m}^3/\text{min}$. Air shall then be blown horizontally by the fan during the tests but the ignition source shall be protected by the screen as shown.

NOTE Suitable fans may be found by reference to IEC 60879: 1986.

8 Blank test

8.1 Purpose

The purpose of the blank test is to condition the interior of the cube to the specified temperature range, when necessary, prior to carrying out tests.

8.2 Procedure

8.2.1 Burn approximately 1 l of alcohol as detailed in Clause 6, in order to preheat the test enclosure.

8.2.2 Purge the inside of the cube of all combustion products by operating the extraction system.

9 Qualification of test apparatus

In order to ensure that the combination of the test cube and the optical system produce results consistent with other test cubes when identical cables are burnt under the same conditions, the test apparatus shall be subject to qualification. Qualification shall be achieved by carrying out the qualification burning test (see Clause 10). The test apparatus shall meet the stated requirements.

10 Qualification burning test

10.1 Purpose

The purpose of the qualification burning test is to verify that the smoke produced in the cube gives A_C values within the limits quoted in 10.6 for both of the alcohol/ toluene fire sources described in 10.3.

10.2 Preparation of cube

Clean the windows of the photometric system to regain 100 % transmission after stabilization of the voltage.

Immediately before commencing the test, the temperature inside the cube shall be within the range $25\text{ °C} \pm 5\text{ °C}$ when measured at the internal door surface at a height of 1,5 m to 2,0 m and a minimum of 0,2 m from the walls. If necessary, carry out a blank test in order to condition the interior of the cube to the specific temperature range.

10.3 Qualification fire sources

Two mixtures, a) and b), of PA (pro analysis) toluene and alcohol (as defined in Clause 6) shall be made up ~~in the following proportions by volume as follows:~~

~~a) 4 parts toluene to 96 parts alcohol,~~

~~b) 10 parts toluene to 90 parts alcohol,~~

~~using a pipette and volumetric flask for accuracy of measurement.~~

The two mixtures shall be prepared by measuring the required quantity of toluene, 40 ml for a) or 100 ml for b), into a 1,0 l volumetric flask using a pipette and adding alcohol up to the 1,0 l calibration mark.

NOTE PA toluene has a purity greater than 99,5 %.

The mixtures shall be contained in a tray as described in Clause 6.

10.4 Test procedure

Burn 1 l \pm 0,01 l of the test solutions specified in 10.3. Record the minimum of the measured transmittance level I_t during the test.

10.5 Calculation

Calculate the measured parameter (A_m) as follows:

$$\del{A_m = \lg_{10} \frac{I_0}{I_t}} \quad A_m = \lg_{10} \frac{I_0}{I_{t(\min)}}$$

“where I_0 is the initial transmittance level of incident light and $I_{t(\min)}$ is the minimum of the measured transmittance level during the qualification test.”

Calculate the standard parameter (A_C):

$$A_C = \frac{A_m}{\% \text{ toluene}} \times \frac{\text{Volume of cube (m}^3\text{)}}{\text{Optical light path (m)}}$$

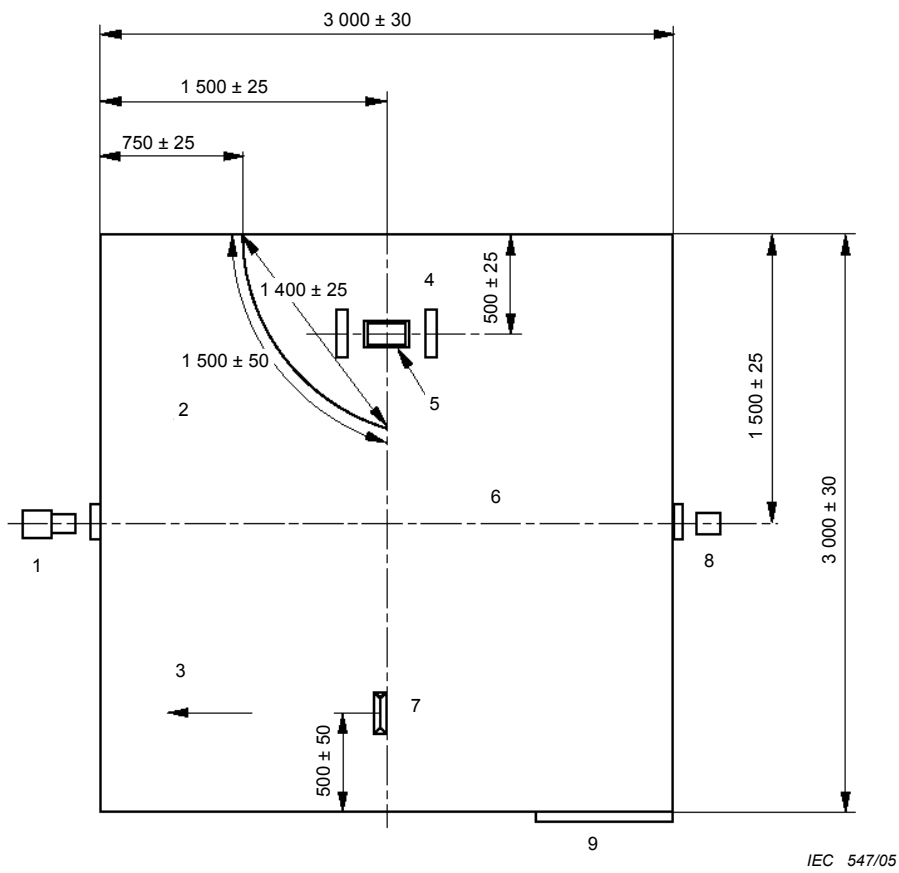
10.6 Requirements

The calculated values of A_C shall fall between the following limits:

4 % toluene: 0,18 m² to 0,26 m²;

10 % toluene: 0,80 m² to 1,20 m².

Dimensions in millimetres



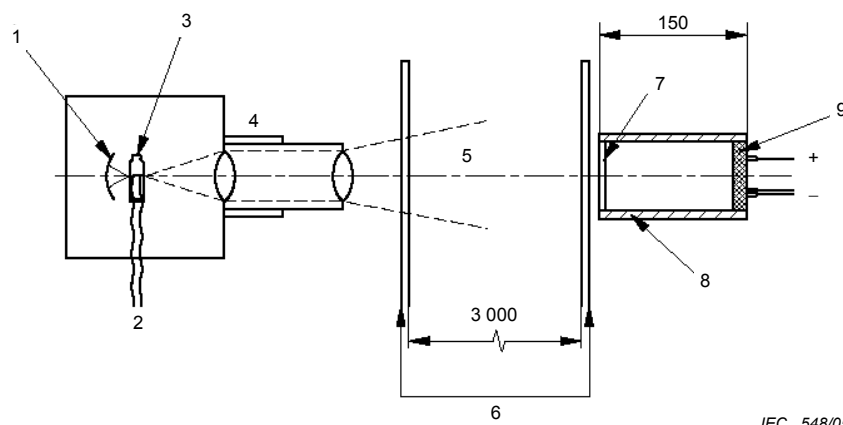
IEC 547/05

Key

- | | |
|--------------------------------------|--|
| 1 light source | 6 optical path height 2 150 ± 100 |
| 2 draught screen (height 1 000 ± 50) | 7 fan flow 7 m ³ /min to 15 m ³ /min |
| 3 direction of air flow from fan | 8 photocell |
| 4 cable support | 9 door |
| 5 alcohol tray | |

Figure 1 – Plan view of test chamber

Dimensions in millimetres



IEC 548/05

Key

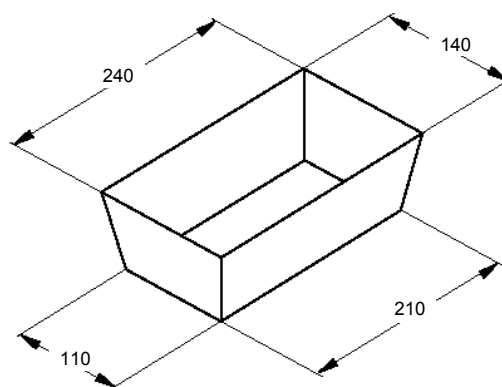
- | | |
|---|------------------------------|
| 1 reflector | 5 light beam |
| 2 voltage supply 12,0 V \pm 0,1 V (stabilized range \pm 0,01 V) | 6 windows of the cube |
| 3 quartz/halogen bulb | 7 window for dust protection |
| 4 lens system | 8 tube, matt finished inside |
| | 9 photocell |

The light source and the photocell shall be physically isolated from the walls of the cube.

The diameter of the cone of light on the opposite face from the source is approximately 1,5 m.

Figure 2 – Photometric system

Dimensions in millimetres



IEC 549/05

Height: 80

Thickness: 1 \pm 0,1Other tolerances: \pm 2**Figure 3 – Metal tray**

Annex A (informative)

Guidance notes

A.1 The chamber environment and ignition source

- a) Early test chamber requirements included a specification for the walls to ensure that the heat loss was uniform, for example similar to 2 mm of steel. This has lost its significance now that the toluene verification procedure has been introduced.
- b) It is important to provide for pressure equalization and suitable arrangements should be made.
- c) Condensation at the lower end of the operating temperature range can cause anomalous results; for example, 15 °C is unacceptable, 18 °C is the minimum, and 20 °C (as specified) the safe minimum.
- d) The tray containing the toluene mixture should be raised above floor level to permit air circulation.
- e) The water content in the alcohol can significantly affect values of smoke production. Thus, for the calibration test it is important to take into account the water content in the ethanol to ensure that the percentage is within the defined limits, and to carry out the test within 2 h of mixing.
- f) The fan throughput should either be certified or checked by a suitable means, for example using an anemometer at the end of a tube having a diameter of the blade sweep and of sufficient length, i.e. 1,0 m.

A.2 Optical system

- a) There is no reason to verify the output of the light source as the actual power plays no part in the accuracy of the test and the bulbs may be operated until failure; this is because all measurements of I_t are relative to the initial I_0 .
- b) The effect of the colour temperature and the emissivity of the bulbs at various wavelengths are also minimal, particularly when the fact that the receptor is weighted for human eye response is considered. Loss of some intensity at the "blue" end or gain of intensity at the "red" end of the spectrum due to the normal ageing of these bulbs, is irrelevant because these wavelengths contribute very little when "weighted" by the receptor.
- c) The above effects also make the precision of the initial d.c. voltage applied across the bulb of little importance. Thus, if 12,1 V or 11,9 V is used instead of 12,0 V d.c. the effect is merely to change the absolute intensity and also to alter the colour temperature. These two effects, as stated above, have minimal effects on the results. The crucial feature of the voltage applied to the bulb is that it be kept stable to a very close tolerance. Thus, it is ideal to maintain the voltage at $\pm 0,01$ V for the duration of the test but it is largely irrelevant whether the absolute voltage is stabilized at 11,9 V, 12,0 V or 12,1 V.
- d) The receptor cell is designed to operate well within its linear range. For example, the selenium cell Megatron MF45 ¹ becomes non-linear at an output voltage of 40 mV. The actual output under the illumination conditions in the cube is about 3,5 mV.
- e) The use of standard neutral density filters is needed to determine that the relative response of the system stays in the same order on a month-by-month basis.

Before the calibration of the photometric system, it is desirable that the filters are calibrated to confirm the specified nominal values.

¹ Megatron MF45 is an example of a suitable product available commercially. This information is given for the convenience of users of this standard and does not constitute an endorsement by the IEC of this product.

When any change is made to the intensity of the light beam after calibration, confirmation of linear response to the filters should be obtained, for example by using a suitable light meter.

- f) The relative nature of the I_0/I_t measurement means that, in theory, there is little or no need to clean the windows of the optical system prior to use. In practice, there is a reason for cleaning after each test. The reason is related to the reflection from the detector window which varies considerably with small amounts of deposited smoke. It is possible to have more light transmitted after some smoke has been deposited because of the reduction in reflection quality of the surface. Cleaning the windows after each test or series of tests ensures more consistency.

Alternatively, a continuous flow of air having a maximum flow rate of 2 l/min may be permitted to sweep the window surfaces during the test.

- g) The light source is set up to give a diffuse and defocused area for two reasons. One has already been described, but the main one is to allow the photocell to sample a small part of a large, evenly illuminated area. This will prevent the situation where, for example, a bright patch exists just outside of the area monitored by the cell which then, when some smoke is produced, scatters light into the cell giving a false reading.

For this reason, the diameter of the light area should not be too small and should conform to the specified limits.

Bibliography

IEC 60879:1986, *Performance and construction of electric circulating fans and regulators*

SOMMAIRE

AVANT-PROPOS.....	17
INTRODUCTION.....	19
1 Domaine d'application	20
2 Références normatives.....	20
3 Termes et définitions	20
4 Détails de l'enceinte d'essai	20
5 Système photométrique	21
6 Source de chaleur normalisée	22
7 Homogénéisation des fumées.....	22
8 Essai à blanc.....	22
8.1 Objet.....	22
8.2 Procédure	22
9 Qualification de l'appareil d'essai	22
10 Essai de combustion de qualification	23
10.1 Objet.....	23
10.2 Préparation du caisson.....	23
10.3 Sources de combustion de qualification.....	23
10.4 Procédure d'essai.....	23
10.5 Calcul.....	23
10.6 Exigences	24
Annexe A (informative) Guide pour la procédure d'essai	26
Bibliographie.....	28
Figure 1 – Vue en plan de l'enceinte d'essai	24
Figure 2 – Système photométrique	25
Figure 3 – Bac métallique	25

COMMISSION ÉLECTROTECHNIQUE INTERNATIONALE

**MESURE DE LA DENSITÉ DE FUMÉES DEGAGÉES PAR DES CÂBLES
BRÛLANT DANS DES CONDITIONS DÉFINIES –****Partie 1: Appareillage d'essai**

AVANT-PROPOS

- 1) La Commission Electrotechnique Internationale (CEI) est une organisation mondiale de normalisation composée de l'ensemble des comités électrotechniques nationaux (Comités nationaux de la CEI). La CEI a pour objet de favoriser la coopération internationale pour toutes les questions de normalisation dans les domaines de l'électricité et de l'électronique. A cet effet, la CEI – entre autres activités – publie des Normes internationales, des Spécifications techniques, des Rapports techniques, des Spécifications accessibles au public (PAS) et des Guides (ci-après dénommés "Publication(s) de la CEI"). Leur élaboration est confiée à des comités d'études, aux travaux desquels tout Comité national intéressé par le sujet traité peut participer. Les organisations internationales, gouvernementales et non gouvernementales, en liaison avec la CEI, participent également aux travaux. La CEI collabore étroitement avec l'Organisation Internationale de Normalisation (ISO), selon des conditions fixées par accord entre les deux organisations.
- 2) Les décisions ou accords officiels de la CEI concernant les questions techniques représentent, dans la mesure du possible, un accord international sur les sujets étudiés, étant donné que les Comités nationaux de la CEI intéressés sont représentés dans chaque comité d'études.
- 3) Les Publications de la CEI se présentent sous la forme de recommandations internationales et sont agréées comme telles par les Comités nationaux de la CEI. Tous les efforts raisonnables sont entrepris afin que la CEI s'assure de l'exactitude du contenu technique de ses publications; la CEI ne peut pas être tenue responsable de l'éventuelle mauvaise utilisation ou interprétation qui en est faite par un quelconque utilisateur final.
- 4) Dans le but d'encourager l'uniformité internationale, les Comités nationaux de la CEI s'engagent, dans toute la mesure possible, à appliquer de façon transparente les Publications de la CEI dans leurs publications nationales et régionales. Toutes divergences entre toutes Publications de la CEI et toutes publications nationales ou régionales correspondantes doivent être indiquées en termes clairs dans ces dernières.
- 5) La CEI n'a prévu aucune procédure de marquage valant indication d'approbation et n'engage pas sa responsabilité pour les équipements déclarés conformes à une de ses Publications.
- 6) Tous les utilisateurs doivent s'assurer qu'ils sont en possession de la dernière édition de cette publication.
- 7) Aucune responsabilité ne doit être imputée à la CEI, à ses administrateurs, employés, auxiliaires ou mandataires, y compris ses experts particuliers et les membres de ses comités d'études et des Comités nationaux de la CEI, pour tout préjudice causé en cas de dommages corporels et matériels, ou de tout autre dommage de quelque nature que ce soit, directe ou indirecte, ou pour supporter les coûts (y compris les frais de justice) et les dépenses découlant de la publication ou de l'utilisation de cette Publication de la CEI ou de toute autre Publication de la CEI, ou au crédit qui lui est accordé.
- 8) L'attention est attirée sur les références normatives citées dans cette publication. L'utilisation de publications référencées est obligatoire pour une application correcte de la présente publication.
- 9) L'attention est attirée sur le fait que certains des éléments de la présente Publication de la CEI peuvent faire l'objet de droits de propriété intellectuelle ou de droits analogues. La CEI ne saurait être tenue pour responsable de ne pas avoir identifié de tels droits de propriété et de ne pas avoir signalé leur existence.

Cette version consolidée de la CEI 61034-1 comprend la troisième édition (2005) [documents 20/754/FDIS et 20/766/RVD] et son amendement 1 (2013) [documents 20/1428/FDIS et 20/1443/RVD]. Elle porte le numéro d'édition 3.1.

Le contenu technique de cette version consolidée est donc identique à celui de l'édition de base et à son amendement; cette version a été préparée par commodité pour l'utilisateur. Une ligne verticale dans la marge indique où la publication de base a été modifiée par l'amendement 1. Les ajouts et les suppressions apparaissent en rouge, les suppressions sont barrées.

La Norme internationale CEI 61034-1 a été établie par le comité d'études 20 de la CEI: Câbles électriques.

Les principaux changements par rapport à l'édition précédente sont:

- a) une définition plus précise de l'écran et des orifices;
- b) une définition plus précise du support pour les câbles essayés;
- c) la suppression des petites différences par rapport aux travaux du CENELEC pour obtenir un vote parallèle sur le contenu du texte.

Elle a le statut de publication groupée de sécurité, conformément au Guide 104 de la CEI.

Cette publication a été rédigée selon les Directives ISO/CEI, Partie 2.

La CEI 61034 comprend les parties suivantes, présentées sous le titre général *Mesure de la densité de fumées dégagées par des câbles brûlant dans des conditions définies*,

Partie 1: Appareillage d'essai

Partie 2: Procédure d'essai et exigences

Le comité a décidé que le contenu de la publication de base et de son amendement ne sera pas modifié avant la date de stabilité indiquée sur le site web de la CEI sous "<http://webstore.iec.ch>" dans les données relatives à la publication recherchée. A cette date, la publication sera

- reconduite,
- supprimée,
- remplacée par une édition révisée, ou
- amendée.

IMPORTANT – Le logo "*colour inside*" qui se trouve sur la page de couverture de cette publication indique qu'elle contient des couleurs qui sont considérées comme utiles à une bonne compréhension de son contenu. Les utilisateurs devraient, par conséquent, imprimer cette publication en utilisant une imprimante couleur.

INTRODUCTION

La mesure de la densité de fumées est un aspect important dans l'évaluation de la performance des câbles soumis au feu, car elle est liée à l'évacuation des personnes et à l'accès pour la lutte contre l'incendie.

La CEI 61034 est publiée en deux parties, qui spécifient toutes les deux une méthode d'essai pour la mesure de la densité des fumées des câbles brûlant dans des conditions définies. Il est rappelé aux utilisateurs de cet essai que la configuration des câbles dans cet essai (par exemple comme les éprouvettes de câbles ou les faisceaux de câbles) ne représente pas nécessairement les conditions réelles d'installation.

La présente Partie 1 donne les détails de l'appareillage d'essai et de la procédure de vérification à utiliser pour la mesure de la densité des fumées des produits de combustion des câbles brûlant dans des conditions définies. Elle comprend les détails de l'enceinte d'essai d'un volume de 27 m³, le système photométrique pour la mesure lumineuse, la source d'inflammation, la méthode d'homogénéisation des fumées et la procédure de qualification. L'Annexe A donne des indications sur les différents aspects de l'appareil d'essai qui peuvent être utilisés lors de la construction initiale de l'enceinte d'essai.

La Partie 2 donne la procédure d'essai ainsi qu'une annexe informative indiquant des recommandations sur les conditions requises de performance à utiliser lorsque aucune exigence n'est spécifiée dans la norme ou la spécification particulière du câble.

MESURE DE LA DENSITÉ DE FUMÉES DÉGAGÉES PAR DES CÂBLES BRÛLANT DANS DES CONDITIONS DÉFINIES –

Partie 1: Appareillage d'essai

1 Domaine d'application

La présente partie de la CEI 61034 fournit les détails de l'appareillage d'essai qui doit être utilisé pour la mesure de l'émission de fumées lorsque des câbles électriques ou à fibres optiques brûlent dans des conditions définies, par exemple quelques câbles brûlant horizontalement. La transmittance de la lumière (I_t) pour des conditions d'essais avec flamme et sans flamme peut être utilisée comme moyen de comparaison entre différents câbles ou pour obéir à des exigences spécifiques.

NOTE Pour les besoins de la présente norme, le terme «câbles électriques» couvre tous les câbles isolés à conducteur métallique utilisés pour la transmission d'énergie ou de signaux.

2 Références normatives

Les documents de référence suivants sont indispensables pour l'application du présent document. Pour les références datées, seule l'édition citée s'applique. Pour les références non datées, la dernière édition du document de référence s'applique (y compris les éventuels amendements).

CEI 60695-4, *Essais relatifs aux risques du feu – Partie 4: Terminologie relative aux essais au feu*

Guide CEI 104:1997, *Elaboration des publications de sécurité et utilisation des publications fondamentales de sécurité et publications groupées de sécurité*

ISO/CEI 13943:2000, *Sécurité au feu – Vocabulaire*

3 Termes et définitions

Pour les besoins du présent document, les termes et définitions donnés dans la CEI 60695-4 s'appliquent, ou si le terme n'est pas défini, la définition de l'ISO/CEI 13943 s'applique.

4 Détails de l'enceinte d'essai

L'équipement doit comprendre une enceinte cubique de dimensions intérieures de 3 000 mm \pm 30 mm, construite avec des matériaux appropriés, fixés sur une charpente de cornière en acier. L'un des côtés comporte une porte avec une fenêtre vitrée d'observation. Des fenêtres transparentes étanches (minimum 100 mm \times 100 mm) doivent être prévues sur deux côtés opposés pour permettre la transmission d'un rayon lumineux issu d'un système photométrique horizontal. La distance du sol au centre de ces fenêtres doit être de 2 150 mm \pm 100 mm (voir Figure 1 pour la vue en plan).

Les parois de l'enceinte doivent comporter des orifices au niveau du sol (c'est-à-dire à une distance inférieure à 100 mm du niveau du plancher de la chambre), pour le passage des câbles, etc., et pour permettre à l'enceinte d'être à la pression atmosphérique.

Aucun orifice ne doit être directement situé derrière la source de chaleur ou sur la même paroi. Un minimum de deux orifices doivent être prévus et la surface totale des orifices ouverts durant l'essai doit être de 50 cm² \pm 10 cm².

NOTE 1 Il a été établi que deux orifices, chacun d'une superficie de 25 cm² \pm 5 cm², disposés sur deux côtés opposés, l'un en dessous de la source lumineuse et l'autre en dessous du côté recevant le faisceau lumineux, convenaient.

La température ambiante à l'extérieur de l'enceinte doit être de $20\text{ °C} \pm 10\text{ °C}$ et l'enceinte ne doit pas être exposée directement au rayonnement solaire ou à des conditions climatiques extrêmes.

NOTE 2 Il convient normalement d'avoir la possibilité d'extraire les fumées de l'enceinte après chaque essai, par un conduit comportant une vanne qu'il convient de fermer durant l'essai. Le conduit peut comporter un ventilateur pour augmenter le rendement de l'extraction. Il est recommandé d'ouvrir la porte de l'enceinte pour faciliter le processus d'extraction.

Un paravent de $1\,500\text{ mm} \pm 50\text{ mm}$ de longueur et de $1\,000\text{ mm} \pm 50\text{ mm}$ de hauteur doit être placé dans l'enceinte, à la position indiquée à la Figure 1. Il doit s'appuyer sur la paroi arrière (à une distance maximale de 10 mm) en un point situé à $750\text{ mm} \pm 25\text{ mm}$ de la paroi latérale, et doit être incurvé pour croiser l'axe de l'enceinte à $1\,400\text{ mm} \pm 25\text{ mm}$ depuis le point d'appui à la paroi arrière.

5 Système photométrique

5.1 Le système photométrique est représenté à la Figure 2. La source lumineuse et le récepteur doivent être disposés à l'extérieur, au centre des deux fenêtres situées dans les deux parois opposées du cube, sans contact physique. Le rayon lumineux doit traverser le cube à travers les vitres des fenêtres situées dans les parois.

5.2 La source lumineuse est une lampe à halogène avec filament de tungstène et ampoule claire en quartz ayant les caractéristiques suivantes:

puissance nominale:	100 W;
tension nominale:	12 V (courant continu);
flux lumineux nominal:	2 000 lm à 3 000 lm;
température de couleur nominale:	2 800 K à 3 200 K.

La lampe doit être alimentée avec une tension de $12,0\text{ V} \pm 0,1\text{ V}$ (valeur moyenne). Durant l'essai, la tension doit être stabilisée avec une précision de $\pm 0,01\text{ V}$ (voir A.2c) pour des indications complémentaires). La lampe doit être montée dans un projecteur et le rayon lumineux réglé par un système de lentilles pour donner une surface circulaire uniformément éclairée de $1,5\text{ m} \pm 0,1\text{ m}$ de diamètre sur la paroi intérieure opposée.

5.3 La cellule réceptrice doit être du type au sélénium ou au silicium donnant une réponse spectrale égalant l'observateur de référence photométrique (équivalent à l'oeil humain) de la Commission Internationale de l'Éclairage (CIE). La cellule doit être montée à l'extrémité d'un tube de $150\text{ mm} \pm 10\text{ mm}$ comportant à l'autre extrémité une fenêtre de protection contre la poussière. L'intérieur du tube doit être peint en noir mat pour éviter les réflexions. La cellule doit être reliée à un enregistreur potentiométrique afin de donner une réponse proportionnelle linéaire. La cellule doit être chargée avec une résistance afin de fonctionner dans sa zone de fonctionnement linéaire et l'impédance d'entrée de l'enregistreur doit être au moins 10^4 fois plus grande que la résistance de charge de la cellule qui ne doit pas excéder $100\ \Omega$.

5.4 Le système photométrique doit être alimenté avant l'essai à blanc. Lorsque la stabilité est atteinte, on règle le zéro et la pleine échelle de l'enregistreur doit être réglée pour un éclairage sur le détecteur correspondant à 0 % (absence d'éclairage) et 100 % de lumière transmise.

NOTE 1 Périodiquement, par exemple au début d'une série d'essais, il convient de vérifier les performances de la cellule en plaçant des filtres étalons neutres sur le trajet du rayon lumineux. Il est essentiel que ces filtres couvrent la totalité de l'orifice d'entrée optique de la cellule et que les valeurs de transmittance (ou de densité optique) mesurées par la cellule soient dans la fourchette de $\pm 5\%$ des valeurs calibrées du filtre. Les filtres permettent aussi de vérifier la linéarité de la réponse du détecteur, qui est proportionnelle à l'absorption de lumière dans la gamme utilisée.

NOTE 2 La plupart des filtres neutres sont conçus suivant un paramètre d'absorbance défini qui est le même que le paramètre A défini en 10.5 pouvant être utilisé pour convertir la transmittance mesurée.

6 Source de chaleur normalisée

La source de chaleur normalisée doit consister en 1,00 l \pm 0,01 l d'alcool ayant la composition suivante en volume:

éthanol:	90 % \pm 1 %
méthanol:	4 % \pm 1 %
eau:	6 % \pm 1 %

Lorsqu'un agent dénaturant est ajouté à l'alcool, il ne doit pas avoir d'effet sur l'émission de fumées des câbles en essai.

L'alcool doit être contenu dans un bac réalisé en tôle d'acier galvanisé ou inoxydable avec des bords jointifs étanches, de section tronconique trapézoïdale et ayant les dimensions intérieures suivantes (voir Figure 3):

base inférieure:	(210 \pm 2) mm \times (110 \pm 2) mm;
base supérieure:	(240 \pm 2) mm \times (140 \pm 2) mm;
hauteur:	(80 \pm 2) mm;
épaisseur des tôles:	(1,0 \pm 0,1) mm.

Le bac doit être surélevé à une hauteur de 100 mm \pm 10 mm au-dessus du plancher de la cabine sur un support qui permet la circulation de l'air, autour et en dessous du bac.

7 Homogénéisation des fumées

Afin d'assurer une répartition uniforme de la fumée, un ventilateur de table doit être placé sur le plancher de la cabine comme indiqué à la Figure 1, l'axe du ventilateur étant entre 200 mm et 300 mm du plancher, et la distance du mur étant de 500 mm \pm 50 mm. Ce ventilateur doit avoir des pales de 300 mm \pm 60 mm et un débit de 7 m³/min à 15 m³/min. Pendant les essais le ventilateur doit souffler l'air horizontalement, mais la source de chaleur doit être protégée par un écran comme indiqué sur la figure.

NOTE Des ventilateurs convenables peuvent être trouvés en se référant à la CEI 60879:1986.

8 Essai à blanc

8.1 Objet

L'objet de l'essai à blanc est de conditionner l'intérieur de l'enceinte d'essai dans la gamme de températures spécifiée, lorsque cela est nécessaire, avant d'entreprendre les essais.

8.2 Procédure

8.2.1 Brûler approximativement 1 l d'alcool tel que défini à l'Article 6, en vue de préchauffer l'enceinte d'essai.

8.2.2 Purger l'intérieur du cube de tous les produits de combustion, en utilisant le système d'extraction.

9 Qualification de l'appareil d'essai

Afin de s'assurer que la combinaison de l'essai dans le caisson et du système optique produit des résultats concordant avec ceux réalisés dans d'autres caissons lorsque des câbles identiques sont brûlés dans des conditions identiques, l'appareillage d'essai doit être soumis à une qualification. Cette qualification doit être acquise en effectuant l'essai de combustion de qualification (voir Article 10). L'appareillage d'essai doit satisfaire aux exigences requises.

10 Essai de combustion de qualification

10.1 Objet

L'objet de l'essai de combustion de qualification est de vérifier que la fumée produite dans le caisson d'essai donne des valeurs de A_c dans les limites indiquées en 10.6 pour les deux sources d'alcool-toluène décrites en 10.3.

10.2 Préparation du caisson

Nettoyer les vitres du système photométrique pour retrouver une transmission de 100 % après stabilisation de la tension.

Juste avant de commencer l'essai, la température à l'intérieur du caisson doit être comprise dans la gamme de $25\text{ °C} \pm 5\text{ °C}$, lorsqu'elle est mesurée sur la surface de la porte du caisson, du côté intérieur, à une hauteur de 1,5 m à 2,0 m et à un minimum de 0,2 m des parois. Si nécessaire, effectuer un essai à blanc afin de conditionner l'intérieur du caisson dans la gamme de températures spécifiée.

10.3 Sources de combustion de qualification

Deux mélanges, a) et b), de toluène (qualité pour analyse) et d'alcool (tel que défini à l'Article 6) doivent être effectués ~~avec les proportions en volume suivantes comme suit:~~

~~a) 4 parts de toluène — 96 parts d'alcool,~~

~~b) 10 parts de toluène — 90 parts d'alcool,~~

~~en utilisant une pipette et une fiole jaugée pour avoir une mesure précise.~~

Les deux mélanges doivent être préparés en mesurant la quantité requise de toluène, 40 ml pour a) ou 100 ml pour b), dans une fiole jaugée de 1,0 l, à l'aide d'une pipette et en ajoutant de l'alcool jusqu'à la marque de calibrage de 1,0 l.

NOTE Le toluène de qualité pour analyse a une pureté supérieure à 99,5 %.

Les mélanges doivent être contenus dans un bac tel que celui décrit à l'Article 6.

10.4 Procédure d'essai

Brûler $1 \pm 0,01$ l des solutions d'essais spécifiées en 10.3. Enregistrer les ~~minimums mesurés~~ du niveau de transmittance I_t ~~mesuré~~ pendant l'essai.

10.5 Calcul

Calculer le paramètre mesuré (A_m) comme suit:

$$\del{A_m = \lg_{10} \frac{I_0}{I_t}} \quad A_m = \lg_{10} \frac{I_0}{I_{t(\min)}}$$

"où I_0 est le ~~niveau initial de transmittance~~ ~~initiale~~ de lumière incidente et $I_{t(\min)}$ est le ~~niveau minimum de transmittance mesuré pendant l'essai de qualification.~~"

Calculer le paramètre (A_c):

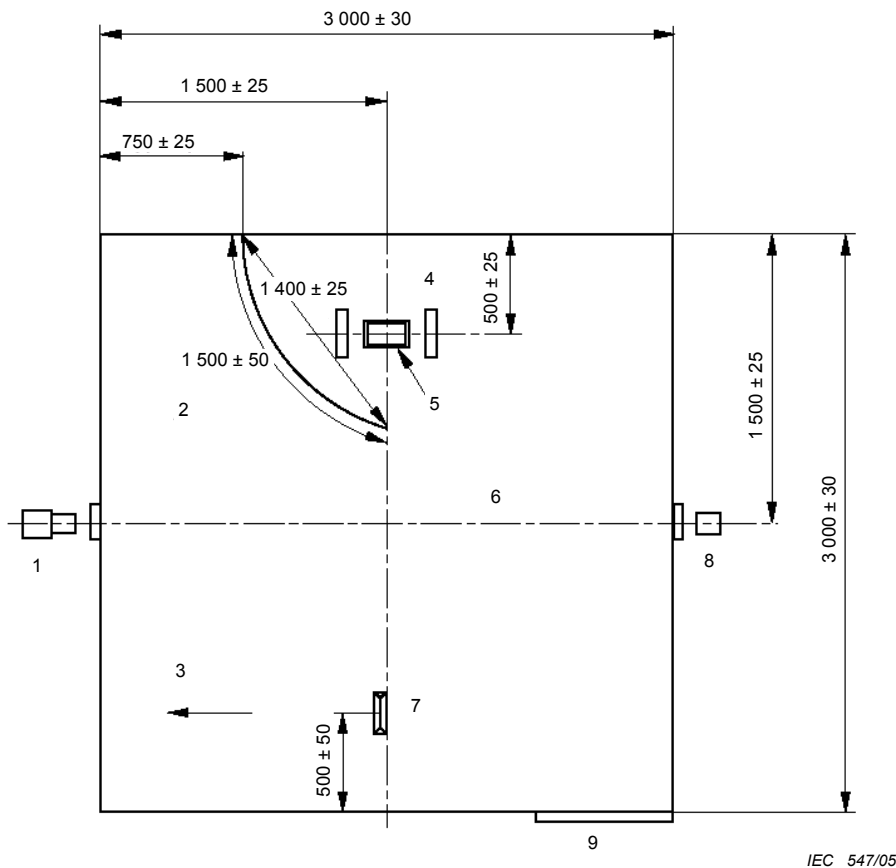
$$A_c = \frac{A_m}{\% \text{ toluène}} \times \frac{\text{Volume du caisson (m}^3\text{)}}{\text{Longueur du trajet optique (m)}}$$

10.6 Exigences

Les valeurs calculées de A_c doivent être comprises dans les limites suivantes:

- 4 % toluène: 0,18 m² à 0,26 m²;
- 10 % toluène: 0,80 m² à 1,20 m² .

Dimensions en millimètres



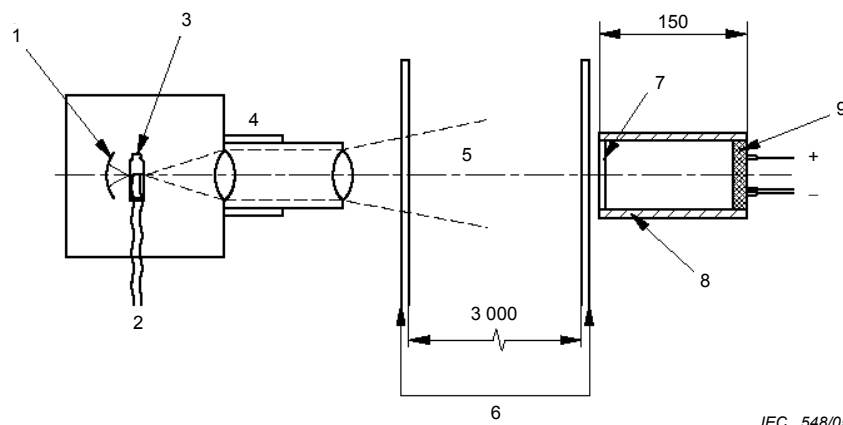
IEC 547/05

Légende

- | | |
|---|---|
| 1 source lumineuse | 6 hauteur du trajet optique 2 150 ± 100 |
| 2 paravent (hauteur 1 000 ± 50) | 7 débit du ventilateur 7 m ³ /min à 15 m ³ /min |
| 3 direction du débit d'air du ventilateur | 8 cellule photoélectrique |
| 4 support pour les câbles | 9 porte |
| 5 bac d'alcool | |

Figure 1 – Vue en plan de l'enceinte d'essai

Dimensions en millimètres



IEC 548/05

Légende

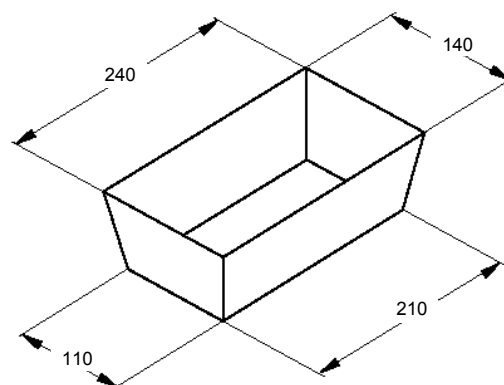
- | | |
|--|---|
| 1 réflecteur | 5 faisceau lumineux |
| 2 alimentation en tension $12,0 \text{ V} \pm 0,1 \text{ V}$
(stabilisée avec une tension de $\pm 0,01 \text{ V}$) | 6 fenêtre du cube |
| 3 lampe à quartz/à halogène | 7 fenêtre de protection contre les poussières |
| 4 système optique | 8 tube, surface interne mate |
| | 9 cellule photoélectrique |

La source lumineuse et la cellule photoélectrique ne doivent pas être solidaires des parois du cube.

Le diamètre du cône lumineux sur la surface opposée à la source est de 1,5 m environ.

Figure 2 – Système photométrique

Dimensions en millimètres



IEC 549/05

Hauteur: 80
 Epaisseur: $1 \pm 0,1$
 Autres tolérances: ± 2

Figure 3 – Bac métallique

Annexe A (informative)

Guide pour la procédure d'essai

A.1 Environnement de la chambre et source d'inflammation

- a) Les premières exigences pour la chambre d'essai comportaient une spécification pour les parois, afin de s'assurer que la perte de chaleur était uniforme, par exemple analogue à 2 mm d'acier. Cela a perdu de son importance maintenant que l'on a introduit la procédure de vérification au toluène.
- b) Il est important de prendre des dispositions nécessaires pour permettre l'égalisation des pressions.
- c) Dans la limite la plus basse de la gamme de températures de fonctionnement, des condensations peuvent donner des résultats anormaux. Par exemple 15 °C est inacceptable, 18 °C est un minimum et 20 °C (comme spécifié) le minimum sûr.
- d) Il est recommandé de surélever le bac contenant le mélange de toluène par rapport au plancher pour permettre la circulation de l'air.
- e) L'eau contenue dans l'alcool peut affecter de façon significative la production de fumée. Aussi, pour l'essai de calibration, il est important de prendre en compte l'eau contenue dans l'éthanol pour s'assurer que le pourcentage est à l'intérieur des limites définies et d'effectuer l'essai dans les 2 h qui suivent la réalisation du mélange.
- f) Il est recommandé que le débit du ventilateur soit ou certifié ou vérifié par un moyen approprié, par exemple en utilisant un anémomètre placé à l'extrémité d'un tube ayant un diamètre égal à celui des pales et ayant une longueur suffisante, par exemple 1,0 m.

A.2 Système optique

- a) Il n'y a pas de raison de vérifier le rendement de la source lumineuse, puisque la puissance réelle ne joue aucun rôle dans l'exactitude de l'essai et que les lampes peuvent fonctionner jusqu'à leur mise en défaut: cela est dû à ce que toutes les mesures de I_t sont relatives à la valeur initiale I_0 .
- b) Les effets de la température de couleur et de l'émissivité des lampes à diverses longueurs d'ondes sont aussi minimes, particulièrement lorsque l'on considère le fait que le récepteur est défini pour la sensibilité de l'oeil humain. Une perte d'intensité du spectre dans l'extrême bleu ou un gain d'intensité dans l'extrême rouge, consécutifs à un vieillissement normal de ces lampes, sont sans importance, car ces longueurs d'ondes n'interviennent que très peu lorsqu'elles sont mesurées par le récepteur.
- c) Les effets ci-dessus font aussi que la valeur précise de la tension initiale, en courant continu, appliquée sur les lampes a peu d'importance. Ainsi, si on utilise une tension de 12,1 V ou 11,9 V au lieu de 12,0 V en courant continu, le premier effet est de changer l'intensité absolue, et le deuxième de modifier la température de couleur. Ces deux effets, comme cela a été établi ci-dessus, ont des effets minimes sur les résultats. La caractéristique cruciale de la tension appliquée à la lampe est qu'elle doit rester stable dans une tolérance très étroite. Ainsi, il est idéal de maintenir la tension à $\pm 0,01$ V pendant la durée de l'essai, mais il est sans importance que la tension soit stabilisée à 11,9 V, 12,0 V ou 12,1 V.
- d) La cellule réceptrice est conçue pour fonctionner correctement à l'intérieur de la partie linéaire de sa gamme. Par exemple, la cellule au sélénium Mégatron MF 45 ¹ devient non linéaire à une tension de sortie de 40 mV. La tension de sortie réelle dans les conditions d'éclairage dans la cabine est d'environ 3,5 mV.

¹ Mégatron MF 45 est un exemple de produit approprié disponible sur le marché. Cette information est donnée à l'intention des utilisateurs de la présente norme et ne signifie nullement que la CEI approuve ou recommande l'emploi exclusif du produit ainsi désigné.

- e) L'utilisation de filtres étalons neutres est nécessaire pour vérifier que la réponse relative du système reste du même ordre d'un mois à l'autre.

Avant la calibration du système photométrique, il est souhaitable que les filtres soient calibrés afin de confirmer les valeurs nominales spécifiées.

Lorsqu'un changement est effectué dans l'intensité du rayon lumineux après calibration, il convient de confirmer la réponse linéaire des filtres, par exemple en utilisant un lumenmètre approprié.

- f) La notion de base relative à la mesure du rapport I_0/I_t signifie que, en théorie, il n'est pas, ou peu nécessaire de nettoyer les vitres du système optique avant utilisation. En pratique, il y a une raison pour les nettoyer après chaque essai. La raison est liée à la réflexion sur la fenêtre du détecteur, qui varie considérablement avec de faibles quantités de fumées déposées. Il est possible d'obtenir plus de lumière transmise après le dépôt d'un peu de fumée, en raison de la réduction des qualités de réflexion de la surface. Le nettoyage des vitres après chaque essai ou série d'essais permet d'assurer une certaine uniformité.

En variante, on peut utiliser un débit continu d'air, d'un débit maximal de 2 l/min pour balayer la surface des fenêtres durant l'essai.

- g) La source de lumière est installée pour donner une surface diffuse et défocalisée, pour deux raisons. L'une a déjà été décrite, mais la principale est de permettre à la cellule de prendre en compte une petite partie d'une surface plus grande, uniformément éclairée. Cela évite la situation où, par exemple, une tache lumineuse existe juste en dehors de la surface contrôlée par la cellule qui, alors, lorsqu'il y a émission de fumée, entraînerait une dispersion de la lumière dans la cellule, donnant une lecture fautive.

Pour cette raison, il convient que le diamètre de la surface éclairée ne soit pas trop petit et soit conforme aux limites spécifiées.

Bibliographie

CEI 60879:1986, *Aptitude à la fonction et construction des ventilateurs électriques de circulation et leurs régulateurs de vitesse*

.....

INTERNATIONAL
ELECTROTECHNICAL
COMMISSION

3, rue de Varembé
PO Box 131
CH-1211 Geneva 20
Switzerland

Tel: + 41 22 919 02 11
Fax: + 41 22 919 03 00
info@iec.ch
www.iec.ch